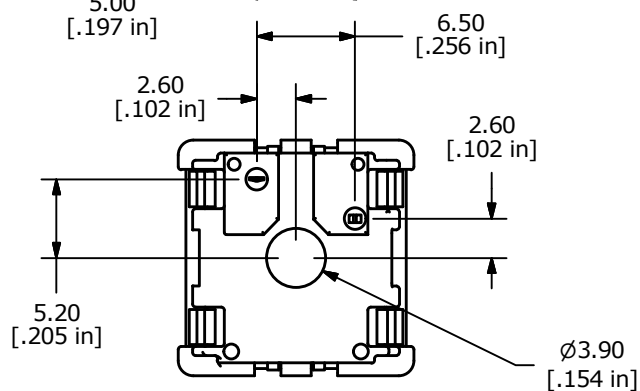
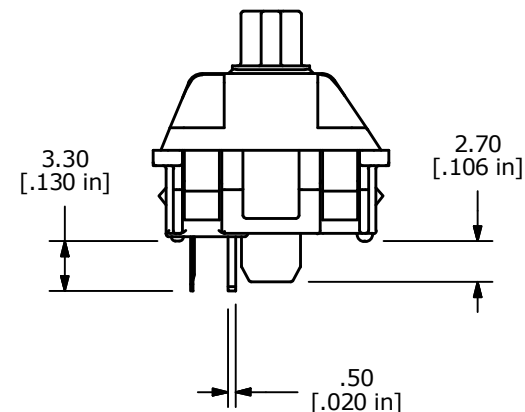
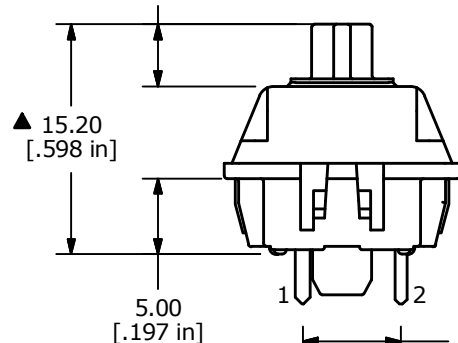
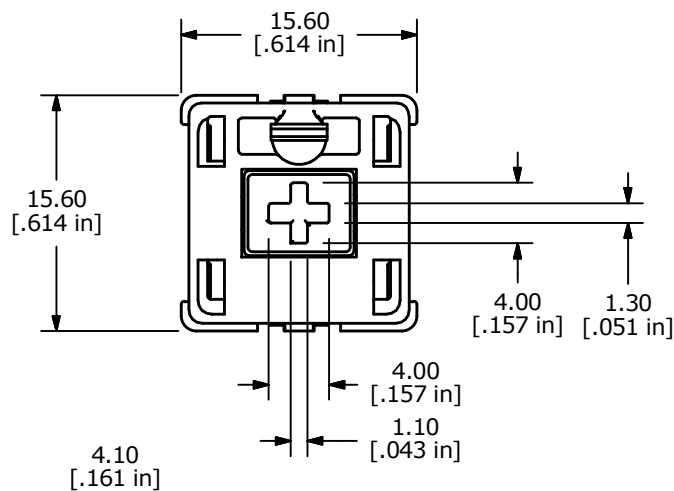


▲ CIRCUIT: SPST
MOMENTARY

- NOTE:
1. ALL DIMENSIONS IN MM [INCH]
 2. GENERAL TOLERANCE: X.X=±0.4
X.XX=±0.25
 3. TERMINAL NUMBERS FOR REF ONLY
 4. CONTACT MATERIAL: SILVER PLATED
 5. RATING: 10mA @12VDC MAX.
 6. ELECTRICAL LIFE: 50,000,000 CYCLES
 7. INSULATION RESISTANCE: 100M Ω MIN. @ 100VDC.
 8. DIELECTRIC STRENGTH: 1000VAC FOR 1 MINUTE
 9. CONTACT RESISTANCE: 100mΩ MAX.
 10. OPERATING TEMP.: -10°C TO +70°C
 - ▲11. TRAVEL: 2.0 ±0.3 mm TO ELECTRICAL MAKE
4.0 mm MAX TRAVEL.
 - ▲12. OPERATING FORCE: 60 ± 15gf
 13. ▲ DENOTES CRITICAL PARAMETER.
 14. 2011/65/EC (ROHS) COMPLIANT



B	22910	UPDATED TOP VIEW DEPICTION	6/22/17	MJR
A	22812	New Release	4/13/17	rc
REV	PCR NO	DESCRIPTION	DATE	BY

TITLE KS1100OA1AF060				
SCALE	DATE	DR	DWG	REV
2:1	4/12/2017	rc	Q100000	B

THE INFORMATION CONTAINED IN THIS DOCUMENT IS PROPRIETARY TO E-SWITCH AND IS NOT TO BE COPIED OR TRANSFERRED